

Description:

The 3P Leaf Separator with filling function is a combination of a leaf separator and rainwater tank filling system.

It can also be used as a pre-filter for leaves and dirt particles, but at the same time it can also serve for filling a rainwater butt. The dirt like leaves is filtered out of the rainwater through the front opening. Therefore, this filter serves also as a protection against the blocking of the sewer pipes.

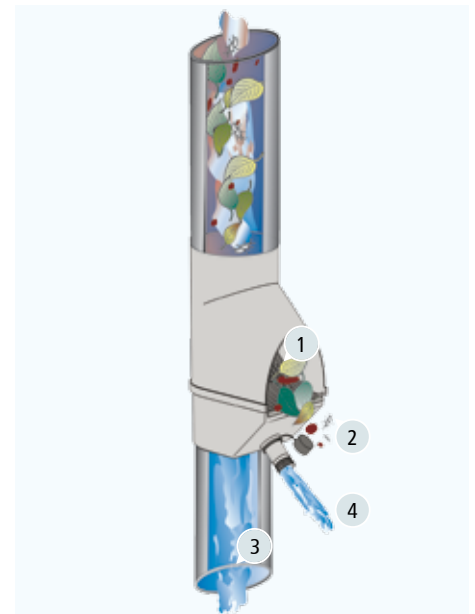
You can add a hose for filling rainwater tanks to the small integrated 3/4" outlet connection.

Connection possibility for 80 and 100 downpipes, reduction is integrated in the housing.



How it works:

1. The coarse dirt is filtered out of the rainwater by the filter ribs
2. Leaves and dirt are simply ejected from the filter.
3. Cleaned rainwater passes through the downpipe or
4. into a rainwater tank through a 3/4" outlet connection.



Technical Data:

Available in grey and brown

Material: Polyethylene

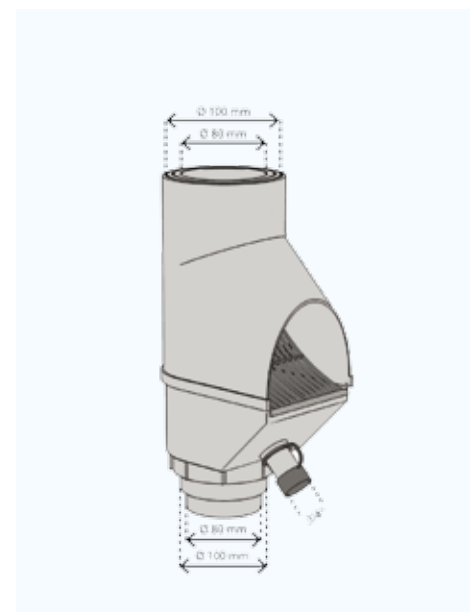
Installation in metal pipes from
Ø 80 to 100 mm

Guiding plate can be removed

Distance of filter ribs: aprox. 5 mm

Connection with rainwater tank through a
3/4" AG or the hose can be fitted directly

Weight: 0,4 kg



Example:

3P Leaf Separator grey with filling function installed in a downpipe. Here the filter is installed directly in the standpipe and waits for the connection to a rainwater tank.



Text for invitation of tenders:

Pos.	Quantity	Article	Price in €
1.1	_____	3P Leaf Separator with filling function Rainwater filter for installation in downpipe Ø 80 / Ø 100 Application area: as pre-filter for rainwater equipments or infiltration systems, and as rainwater tank filling system with 3/4" connection Coarse dirt is filtered out, cleaned rainwater passes through the downpipe into the connected system or the rain tank.	_____

Accessory:

3P Connection Set Ø 25 mm
Art.-Nr. 9000125
3/4" x Ø 25 mm, 25 cm hose with tank wall seal connector, including hand drill



Observations:

Packing
3P Leaf Separator with filling function:
4 colored printing box in 8 languages

Packing unit

3P Leaf Separator with filling function:
Covering box: 790 x 575 x 700mm: 34 pieces
Pallet: 204 pieces

EAN:

Art.-Nr. 2000920 grey: 4018712001020
Art.-Nr. 2000910 brown: 4018712001013